

Win the *Standing Revolution* with Winston Sit-Stand Workstation!



85% OF DECISION MAKERS PREFER WINSTON FOR THEIR TEAM

A recent study reveals why Users and Decision Makers choose Winston as the most versatile sit-stand for the workplace.*

Here's why they prefer Winston:

- ▲ Larger, more usable workspace.
- ▲ Sturdy construction.
- ▲ Sleek, professional design.
- ▲ Accommodates the needs of most users.

Contact us today to learn more about Winston:

1.212.390.1303
walter@STFConsoles.com

More than Just a Trend: Standing for Your Health

Increasing the amount of standing in your day – even just three hours per day – can offer you the same health benefits as running 10 marathons a year and can extend your life by two years. Standing more also counters all the health concerns too much sitting can bring, including reducing the risk of obesity, type 2 diabetes, cardiovascular disease, and cancer. An effective way to stop the health problems associated with sitting for long periods of time is to invest in a freestanding

sit/stand workstation and to take simple steps for a more active workday. Some suggestions include small changes like taking the stairs instead of the elevator, walking to speak with a co-worker instead of emailing or calling, and swapping out your chair for a height adjustable desk to stand during the day.

Excessive sitting is associated with a number of chronic diseases and conditions, including:



120-140

Americans are burning 120-140 less calories a day than 50 years ago.



66%

increase in cancer.



112%

increase in diabetes.



54%

increase in heart attacks.



49%

increase of a higher risk of mortality from all causes.

Winston Workstation™

Sit-Stand Workstation



Winston Workstation™ –

Energizing your body. Inspiring your mind.

Instantly converts any desk into a sit stand workspace boosting health and productivity.

Recent studies have shown that sitting throughout the day can have the same negative health consequences as smoking. Winston seamlessly integrates into your workday for a boost in health and wellness.

FEATURES

- ▲ Take the work out of adjusting and replacing monitors. Simply attach, adjust, and remove all at the face of the beam. No need to slide monitors to remove.
- ▲ Designed to accommodate standing work without the distraction of unwanted movement.
- ▲ Large natural wood surface and convenient storage tray allow you to bring all necessities with you when you stand.
- ▲ Retrofit your existing desk into a healthy workspace with two easy mounting options: freestanding or desk clamp.
- ▲ Features a 17" range of vertical height adjustment and a locking cylinder to keep the workstation in place. No manual adjustment needed.
- ▲ Cable clips in the column and beam keep the cables organized and out of the way.
- ▲ Winston is assembled in the USA using components created through a green manufacturing process.



Seamless height adjustment



Engineered for stability



Single monitor option available



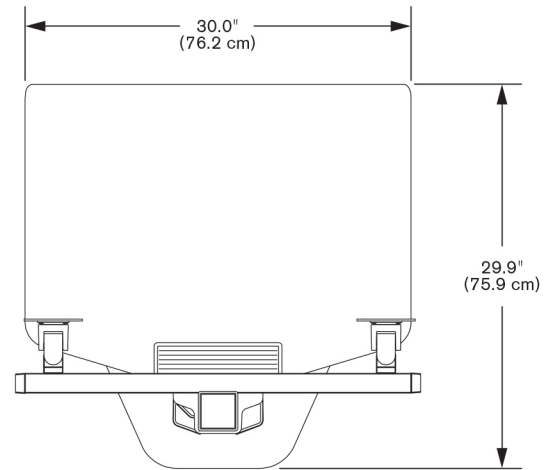
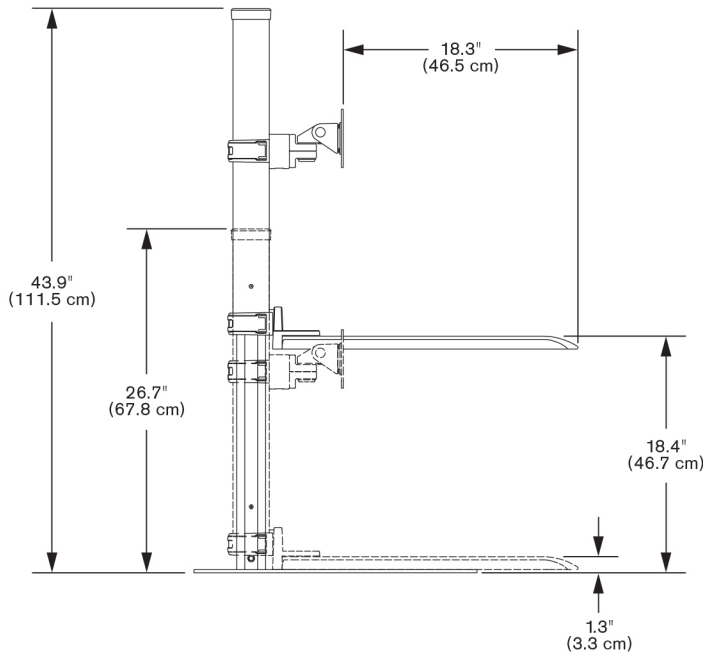
Cable management



Expansive work surface features a storage tray —keeps items within reach

Winston Workstation™

Specifications



CAPABILITIES

- Vertical height adjustment**..... 17" (43.2 cm)
- Monitor tilt**..... 200 degrees
- Monitor pivot**..... Landscape to portrait
- Monitor compatibility**..... VESA® 75mm and 100mm
- Cable management**..... Cables are clipped to column

WINSTON WEIGHT RANGES*

Winston Workstation™ Single

- WNST-1-FS-L..... Supports 9 - 20 lbs (4.1 - 9.1 kg)
- WNST-1-FS-M..... Supports 16 - 32 lbs (7.3 - 14.5 kg)
- WNST-1-FS-H..... Supports 28 - 48 lbs (12.7 - 21.8 kg)

Winston Workstation™ Dual

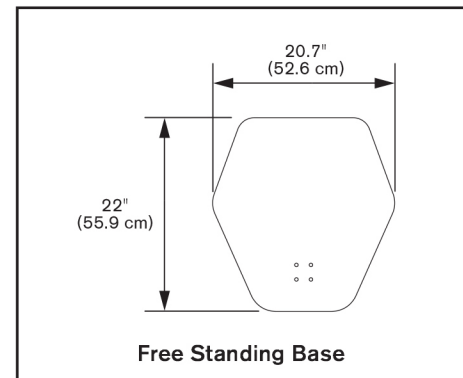
- WNST-2-FS-L..... Supports 4 - 16 lbs (1.8 - 7.3 kg)
- WNST-2-FS-M..... Supports 12 - 28 lbs (5.4 - 12.7 kg)
- WNST-2-FS-H..... Supports 25 - 44 lbs (11.3 - 20 kg)

Winston Workstation™ Triple

- WNST-3-FS-L..... Supports 0 - 24 lbs (0 - 10.9 kg)
- WNST-3-FS-M..... Supports 15 - 36 lbs (6.8 - 16.3 kg)
- WNST-3-FS-H..... Supports 31.5 - 49.5 lbs (14.3 - 22.5 kg)

Winston Workstation™ Quad

- WNST-4-FS-L..... Supports 8 - 32 lbs (3.6 - 14.5 kg)
- WNST-4-FS-M..... Supports 24 - 40 lbs (10.9 - 18.1 kg)
- WNST-4-FS-H..... Supports 42 - 58 lbs (19.1 - 26.3 kg)



* For optimal performance, select the model that will support the total weight of your monitor and all items that will be placed on the Winston work surface. (keyboard and mouse typically total 2 - 4 lbs)